



Assembly, Installation, Operation and  
Maintenance Instructions  
4" Oval Straight Side Bar

**Part Number:  
A1556S/T**

**60 - 180 minutes**

**Dealer / Installer:** Provide a copy of these instructions to the end user of this product. These instructions provide important operating and safety information for proper usage of this product. Demonstrate the proper use of the product with the end user. Have the end user demonstrate that they understand the proper use of the product.

**End User:** Read and follow all instructions included in this manual. Ask your Dealer / Installer for assistance if you do not understand the proper use of the product. Never remove any **⚠️ WARNING ⚠️** decals from the product. Failure to follow these instructions can result in injury or death.

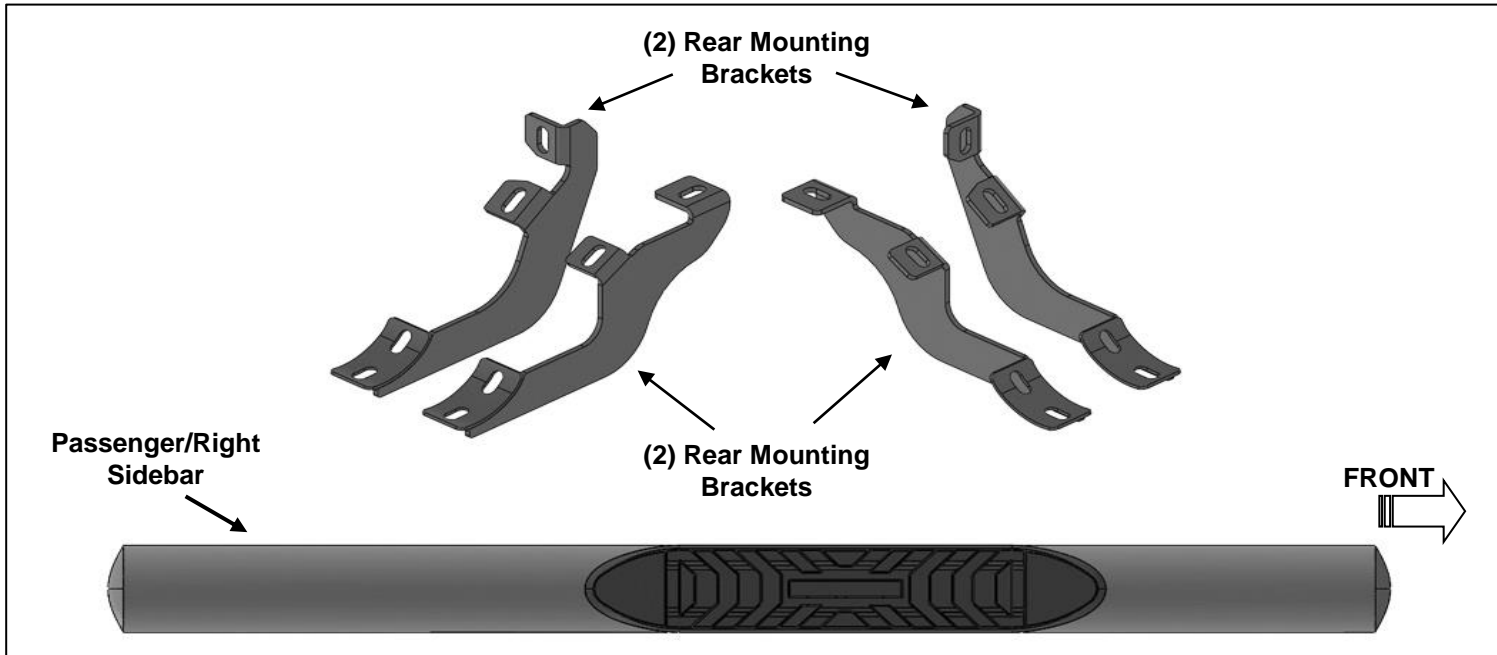
**APPLICATION: 2021-2022 FORD BRONCO 2DR**

**PARTS LIST**

Qty	Part Description	Qty	Part Description
1	Driver/Left Sidebar	8	10mm x 30mm Hex Bolts
1	Passenger/Right Sidebar	8	10mm Lock Washers
2	Front Mounting Brackets	8	10mm x 27mm OD x 3mm Flat Washers
2	Rear Mounting Brackets	8	8mm x 25mm Combo Bolts

**TORQUE SPECIFICATION**

Size	Torque	Size	Torque
10 MM	34.5 ft/lbs	8 MM	20 ft/lbs



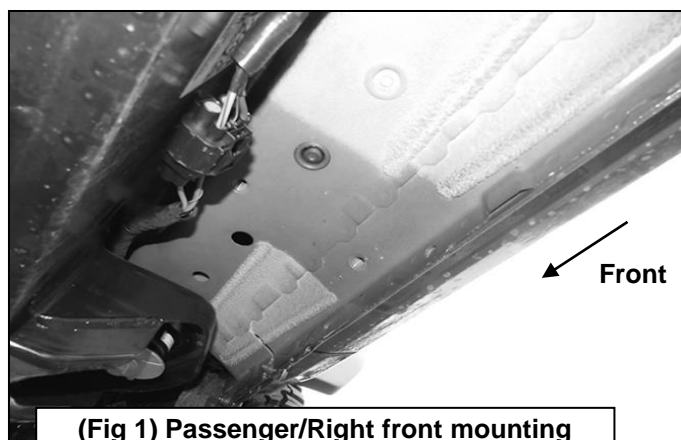
## **INSTALLATION PROCEDURE:**

- 1. REMOVE CONTENTS FROM BOX. VERIFY ALL PARTS ARE PRESENT. READ INSTRUCTIONS CAREFULLY BEFORE STARTING INSTALLATION.**
- Starting from underneath the Passenger/Right body panel, locate the front mounting location and the threaded holes in the body panel, (Figure 1). Remove the plastic plugs covering the holes.
- Select the Passenger/Right Front Mounting Bracket. Attach the Mounting Bracket to the front location with (2) 10mm Hex Bolts, (2) 10mm Lock Washers and (2) 10mm Flat Washers, (Figure 2). Do not tighten hardware.
- Repeat Steps 2 & 4 to attach (1) Rear Mounting Bracket to the rear location, (Figures 3 & 4). Do not tighten hardware.
- Select the Passenger/Right Sidebar. Place the Sidebar onto the cradles of the Mounting Brackets. **IMPORTANT:** Do not rotate or slide the Sidebar front to back or damage to the finish may result. Attach the Sidebar to the Mounting Brackets with (4) 8mm Combo Bolts, (Figure 5). Do not tighten hardware.
- Level and adjust the Sidebar and tighten all hardware.
- Repeat Steps 1—6 to attach the Driver/Left Sidebar.
- Do periodic inspections to the installation to make sure that all hardware is secure and tight.

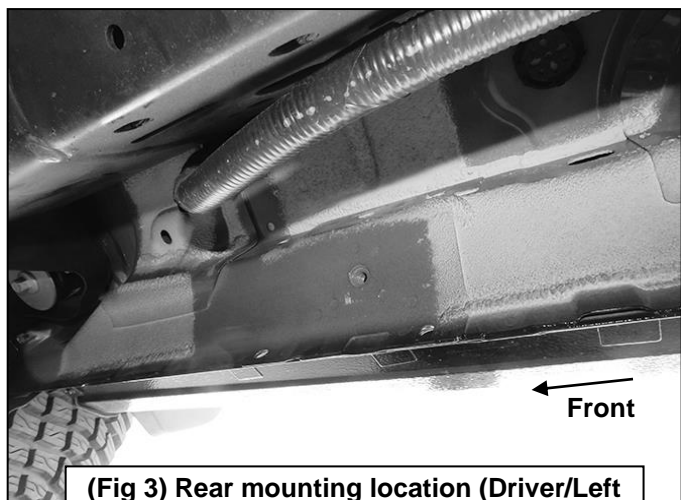
**To protect your investment,** Do not use any type of polish or wax that may contain abrasives that could damage the finish. Mild soap may be used also to clean Sidebars.

## **INSTALLATION IMAGES:**

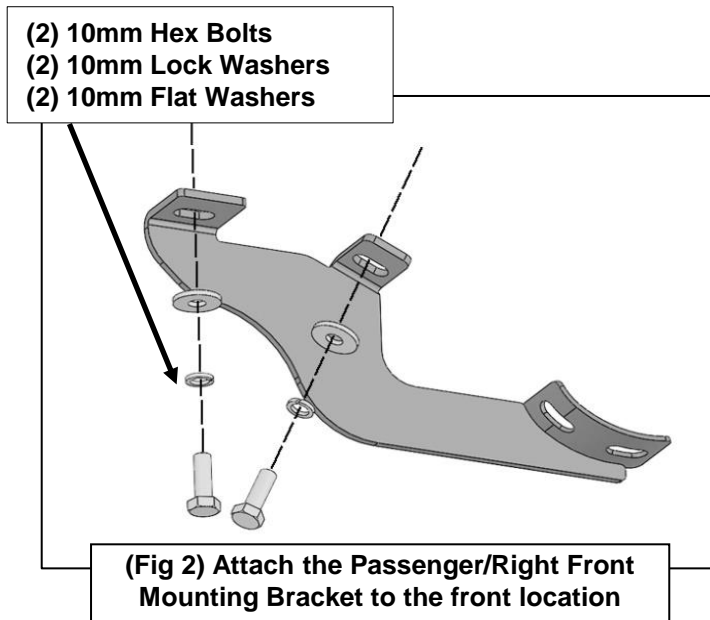
### **Passenger/Right Side Installation Pictured**



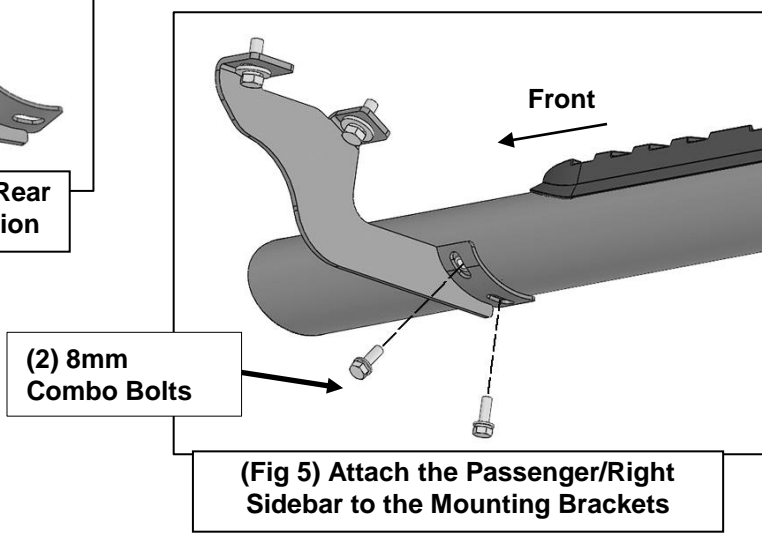
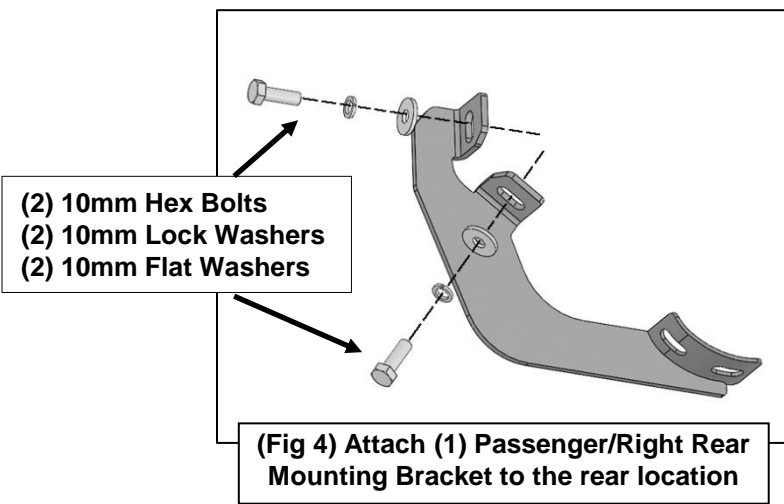
**(Fig 1) Passenger/Right front mounting location**



**(Fig 3) Rear mounting location (Driver/Left side shown)**



**(Fig 2) Attach the Passenger/Right Front Mounting Bracket to the front location**



**PRODUCT CARE**

- Periodically check the product to ensure all fasteners are tight and components are intact.
- Regular waxing is recommended to protect the finish of the product.
- Use ONLY Non-Abrasive automotive wax. Use of any soap, polish or wax that contains an abrasive is detrimental and can scratch the finish leading to corrosion.
- Aluminum polish may be used to polish small scratches and scuffs for Stainless Steel finish.
- Mild soap may be used to clean the product for both Stainless Steel and Black finish.

**FAQ's**

- 1. Hardware and mounting brackets are not aligning properly**  
Ensure that hardware is being used on the correct side of vehicle. In some cases, the hardware may appear the same for driver and passenger side but may alter the alignment of mounting location. Check mounting brackets for both sides.
- 2. Products are thumping / rattling after Installation**  
Ensure that all required mounting brackets / hardware's are installed & tightened correctly.  
Suggest using white Lithium / regular grease between metal-to-metal contact.
- 3. Missing / Excess Hardware**  
Recheck hardware count as per the part list.
- 4. Product not installing properly**  
Ensure the Year / Make / Model as well as cab and bed dimensions are correct for the application. Review all steps for installation to ensure they were followed correctly.
- 5. Who should be contacted for questions regarding product / installation assistance?**  
www.trailfx.com / [support@trailfx.com](mailto:support@trailfx.com) or 1-(866) 638-4870

# Warranty Terms:

**Black Powder Coated:  
Stainless Steel Polished:**

**3 Year Limited Warranty  
Limited Lifetime Warranty**

TrailFX and Keystone Automotive Operations Inc. make no guarantees or warranties for products not manufactured by Keystone Automotive Operations Inc. Such products are covered solely under any applicable warranty of the manufacturer. It is always recommended that the operating instructions and warranty instructions provided by the manufacturer are followed.

Keystone Automotive Operations Inc. warrants its products to be free from manufacturing and material defects to the original purchaser for the length of warranty stated above from the date of retail purchase. If any products are found to have a manufacturing or material defect, the product will be replaced or repaired at the option of TrailFX and Keystone Automotive Operations Inc. with proof of purchase by the original purchaser. The original purchaser shall pay all transportation and shipping costs associated with the return of the defective product and the defective product shall become the property of Keystone Automotive Operations Inc.

The Warranty applies to Keystone Automotive Operations Inc. products used for individual and recreational purposes. Commercial usage of the Keystone Automotive Operations Inc. products limits the warranty to 90-days from date of purchase.

The Warranty applies only to Keystone Automotive Operations Inc. products which are found to be defective in manufacturing or material. This warranty does not apply to normal wear and tear of the finish placed on Keystone Automotive Operations Inc. products.

TrailFX and Keystone Automotive Operations Inc. are not responsible for any labor costs incurred for removal or replacement of the defective product.

TrailFX and Keystone Automotive Operations Inc. are not responsible for repair or replacement of any product under the limited warranty where the product was improperly installed, misapplied, altered, abused, neglected, overloaded, misused or damaged as a result of an accident, including any use of the product not in accordance with all product operating and safety instructions.

Without limiting the generality of the foregoing, TrailFX and Keystone Automotive Operations Inc. shall under no circumstances be liable for any incidental or consequential loss or damage whatsoever arising out of, or in any way relating to any such breach of warranty or claimed defect in, or non-performance of the products. Some states do not allow the exclusion or limitation of incidental or consequential damages, so the above exclusion or limitation may not apply to you.

This limited warranty gives you specific legal rights, and you may also have other rights that vary from state to state.